



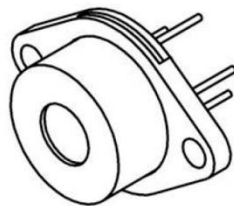
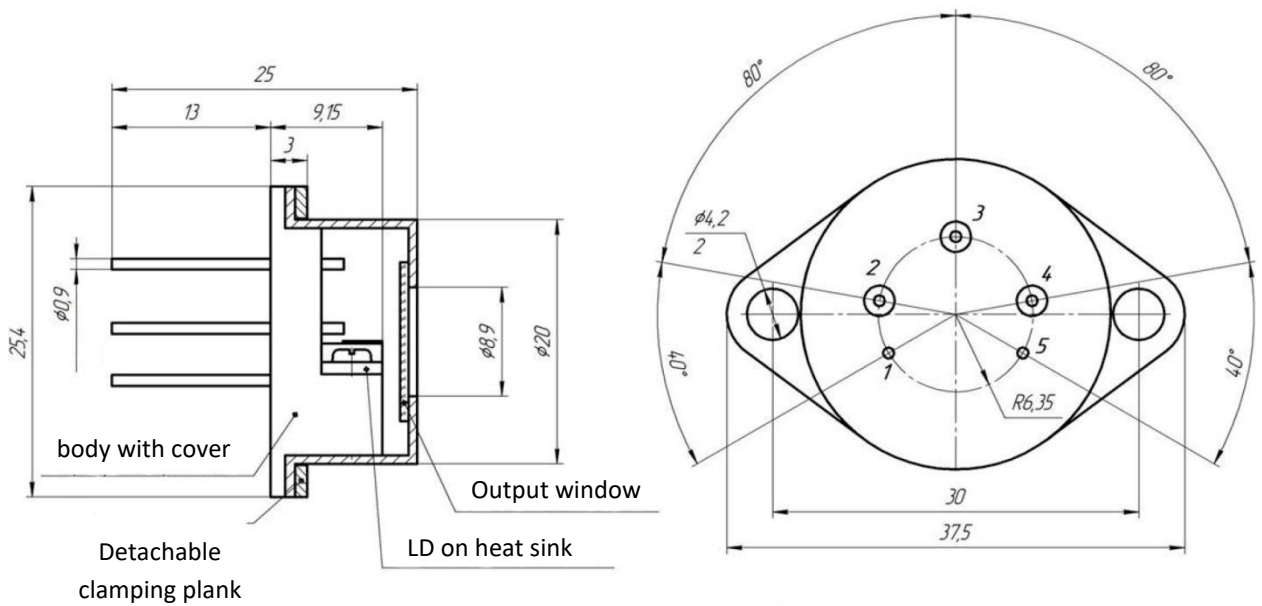
PRODUCT DATA SHEET

Pulse Laser Diode (TO-3 package) 1060nm 30W

Parameter	Sign	Value			Unit
		Min	Typical	Max	
<i>Laser emitter</i>					
Pulse output optical power	P_{op}	28	30	32	W
Power temperature shift	$\Delta P/\Delta T$	1.0	1.3	1.6	W/ $^{\circ}C$
Operation current (current pulse amplitude)	I_{pa6}	45	50	55	A
Апертура излучения	$W \times d$		100x1		mkm*mkm
Cut-off voltage	$U_{cut-off}$	1.35	1.4	1.45	V
Resistance	R_s	50	100	120	m Ω
Beam divergence in vertical plane (FWHM) (fast axis)*	θ_{\perp}	25	30	35	grade
Beam divergence in horizontal plane (FWHM) (slow axis)	θ_{\parallel}	5	10	15	grade
Wavelength	λ	1050	1065	1080	nm
Spectrum temperature shift	$\Delta\lambda/\Delta T$	0,33	0,35	0,37	nm/ $^{\circ}C$
<i>Operation mode - Pulse</i>					
Pulse duration	τ	5	50	100	ns
Pulse frequency	f	-	1	10	kHz
Temperature operation rate*		-40	+25	+50	$^{\circ}C$

Optionally cylindrical lens can be installed into the package, which narrow beam divergence by fast axis to 1 ± 0.5 grade (FWHM)

Drawings:



1	«+» Laser
2	«-» Laser
3	PD monitor
4	«-» Laser
5	«+» laser